



INSTRUCTION BULLETIN

No. 9004951
Machine: S30/S30 X4/
S30 XP
Published: 08-2010
Rev. 01

NOTE: DO NOT DISCARD the Parts List from the Instruction Bulletin. Place the Parts List in the appropriate place in the machine manual for future reference. Retaining the Parts List will make it easier to reorder individual parts and will save the cost of ordering an entire kit.

NOTE: Numbers in parenthesis () are reference numbers for parts listed in Bill of Materials.

Installation instructions for **kit number 9004107**

SYNOPSIS:

This kit contains the parts needed to install a corner bumper kit on S30/S30 XP/S30 X4 machines (serial numbers 000000-002099).

Please follow step-by-step instructions.

SPECIAL TOOLS / CONSIDERATIONS: NONE

(Estimated time to complete: 1/2 hour)

PREPARATION:

1. Park the machine on a clean level surface, turn off the machine, remove the key, and set the parking brake.

FOR SAFETY: Before leaving or servicing machine, stop on level surface, turn off machine, and remove key.

INSTALLATION:

1. Install a 10" cable (6) onto each hitch pin (4). Refer to Fig. 1.

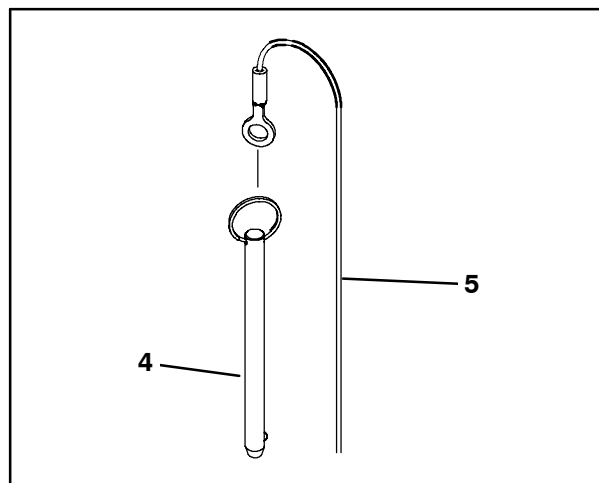


FIG. 1

2. Use two hex screws (6) to install each bumper bracket (3) and 10" cable (5) onto the frame of the machine. Refer to Fig. 3.

3. Use two hex screws (6) to install the left bumper tower (1) onto the frame of the machine. Refer to Fig. 3.
4. Use two hex screws (6) to install the right bumper tower (2) onto the frame of the machine. Refer to Fig. 3.
5. Close the bumper towers (1) and (2) and use the hitch pins (4) to secure the bumper towers to the bumper brackets (3). Refer to Fig. 2.



FIG. 2

6. Remove the hitch pins (4) and open the tower bumpers (1) and (2) to disengage the bumpers. Refer to Fig. 2.

NOTE: The tower bumpers (1) and (2) must be disengaged and opened before the rear engine compartment shroud can be opened.

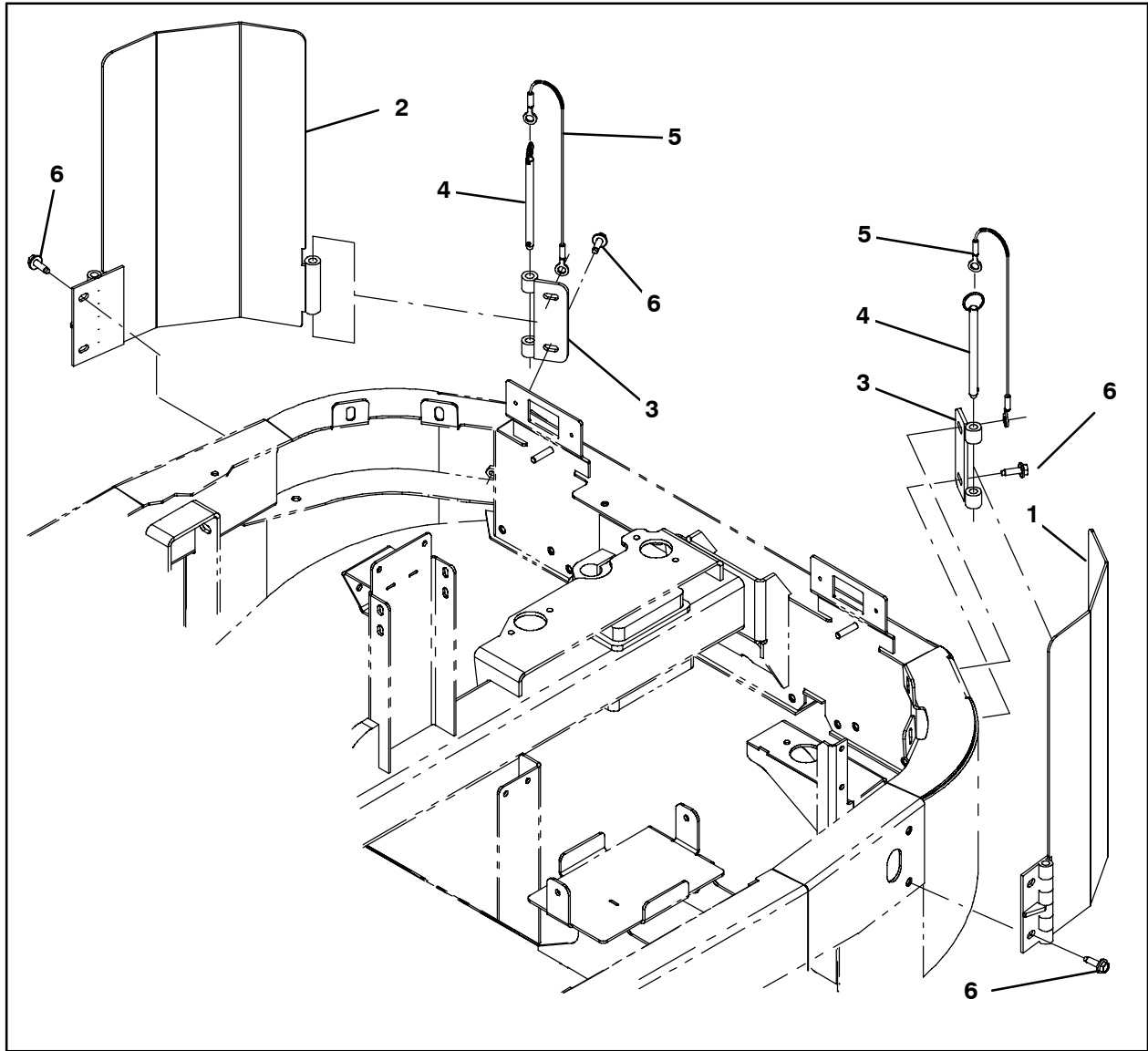


FIG. 3

Bill of Materials for Bumper Kit, Corner, CI [S30] - 9004107

Ref.	Tennant Part No.	Description	Qty.
▽	9004107	Bumper Kit, Corner, CA [S30]	1
▲	1 1042888	Angle Wldt, Bmpr, Tower, LH	1
▲	2 1042885	Angle Wldt, Bmpr, Tower, RH	1
▲	3 1043183	Bracket Wldt, Mtg, Bmpr	2
▲	4 1043176	Pin, Hitch, .50D X 6.00L, PI	2
▲	5 87172	Cable, Glv, .13D 010.0L .52 Eye / .52 Eye	2
▲	6 1037358	Screw, Hex, M10 X 1.50 X 35, 9.8, Sems	8

TENNANT COMPANY
P. O. Box 1452
Minneapolis, MN 55440-1452